

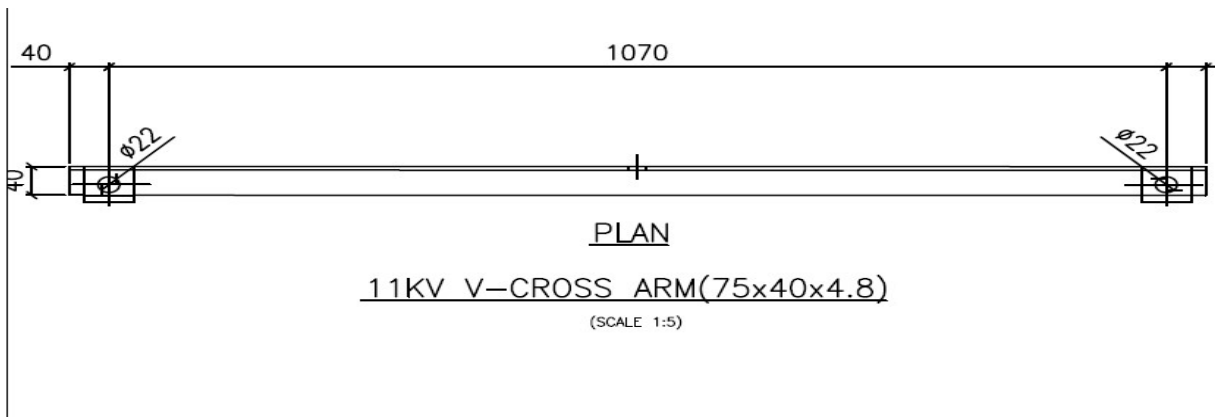
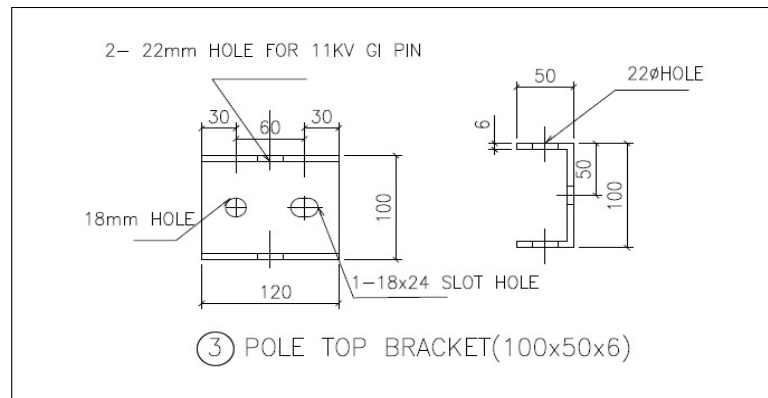
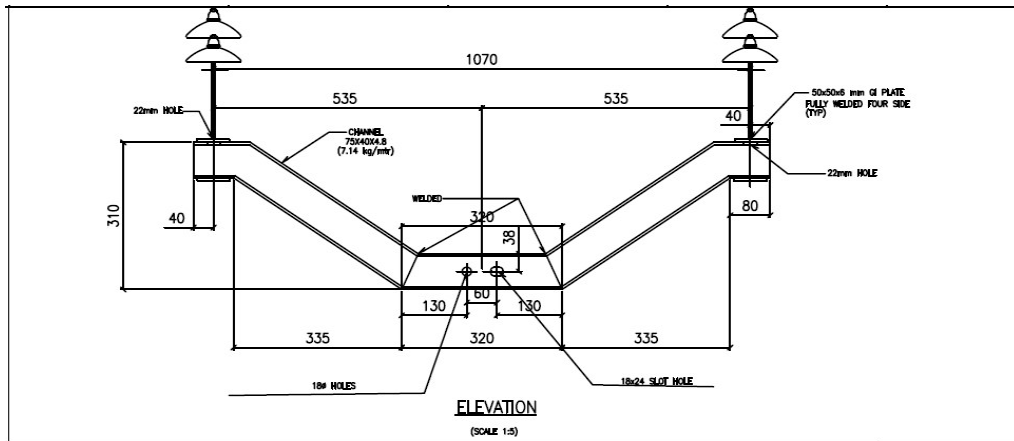
Pre-Bid Clarification

Tender No TPCODL/P&S/100000082/2021-22

Package Name RATE CONTRACT FOR SUPPLY OF V-CROSS ARM 11kVand 33kV

Sr. No.	Detailed Reference to Tata Power Tender Document. Please specify Document No / Clause No / Page No	Description as per Bid Document	Remarks - Query / Clarification	Tata Power Response
1	2	3	4	5
1	PAGE NO- 92 & 94 DOCUMENT TITLE- Specification of Specification of V Cross Arm for 11KV line WPB,RSJ,PSC, DRAWING- POLE TOP BRACKET	IN BOTH PAGES OF 92 & 94 TWO DIFFERENT DRAWINGS ARE MENTIONED OF POLE TOP BRACKET/ HAMPER	KINDLY CONFIRM FOR WHICH DRAWING WE HAVE TO QUOTE THE PRICE.	Revised 33kV & 11kV V Cross arm Drawing showing mounting arrangement for pole top bracket and V cross arm will be uploaded in Ariba portal.

11KV V CROSS ARM



33KV V CROSS ARM

